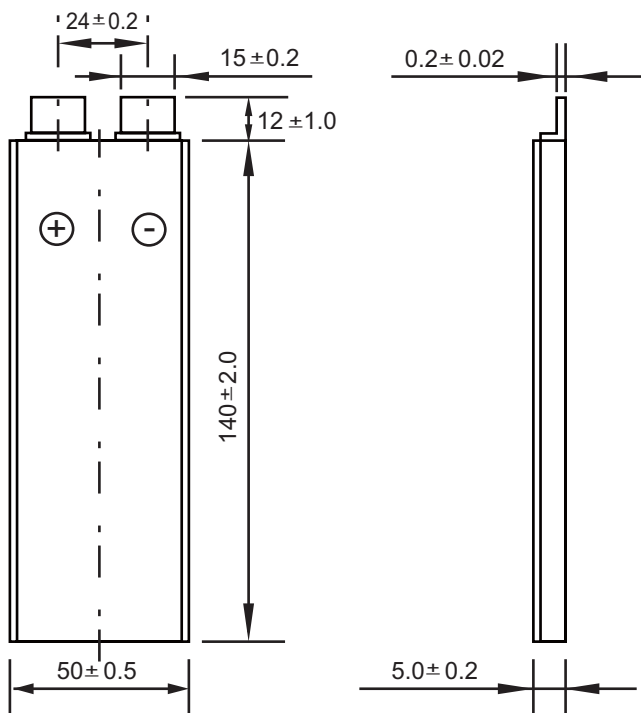


### Specifications

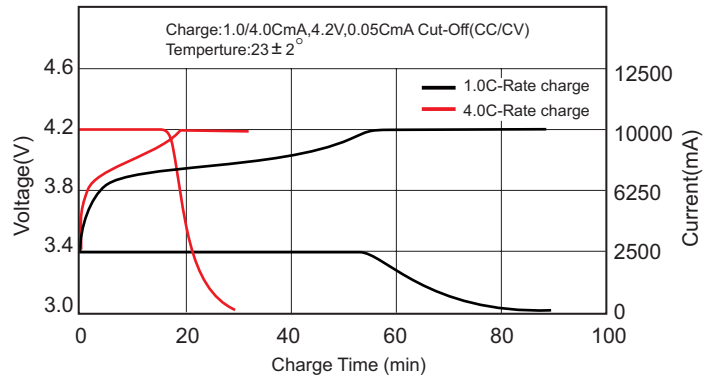
**Model No:DL5050140TP**

Basic Information	Nominal Capacity	2500mAh
	Nominal Voltage	3.7V
	Impedance	$\leq 6m\Omega$
	Weight(Approx.)	70g
	Dimensions	Thickness
Width		$50 \pm 0.5mm$
Length		$140 \pm 2.0mm$
Charge Condition	Nominal Charge Current	2500mA(1C)
	Voltage	4.2V
	Cut-off Current	125mA(0.05C)
	Ending Time	1.5h
	Max.Charge Current	12.5A(5C)
	Max.Recommended Charge Current	10A(4C)
Discharge Condition	Nominal Discharge Current	2500mA(1C)
	Cut-off Voltage	3.0V
	Max.Discharge Current	Continuous
Burst		137.5A(55C)
Temperature Condition	Charge	0~45°C
	Discharge	-20~60°C
	Storage	-20~45°C
Cycle Life	$\geq 100$ Cycles	At 20°C discharge,23°C
Self-discharge	Residual Capacity>92%	At 25°C $\pm$ 2°C,30 days

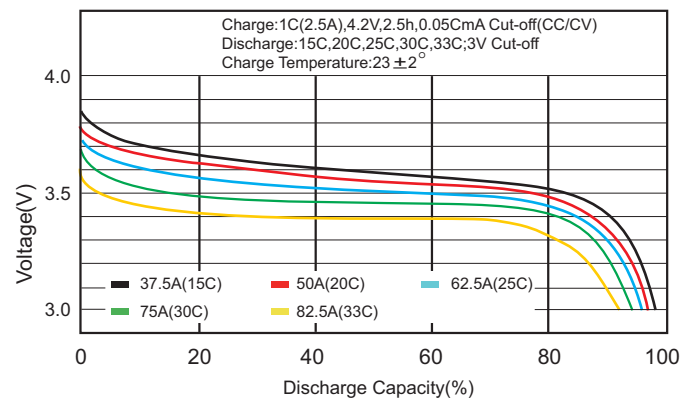
### Dimensions(mm)



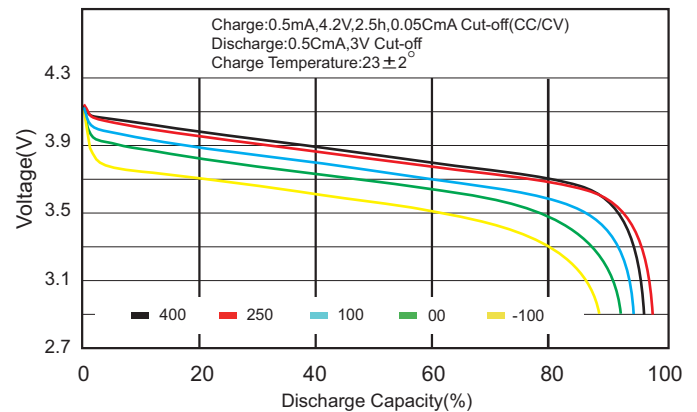
### charge characteristics



### Discharge Rate Characteristics



### Discharge Temperature Characteristics



### Cycle Life Characteristics

